

## Gamma

# Axially split Volute Casing Pump

### Applications:

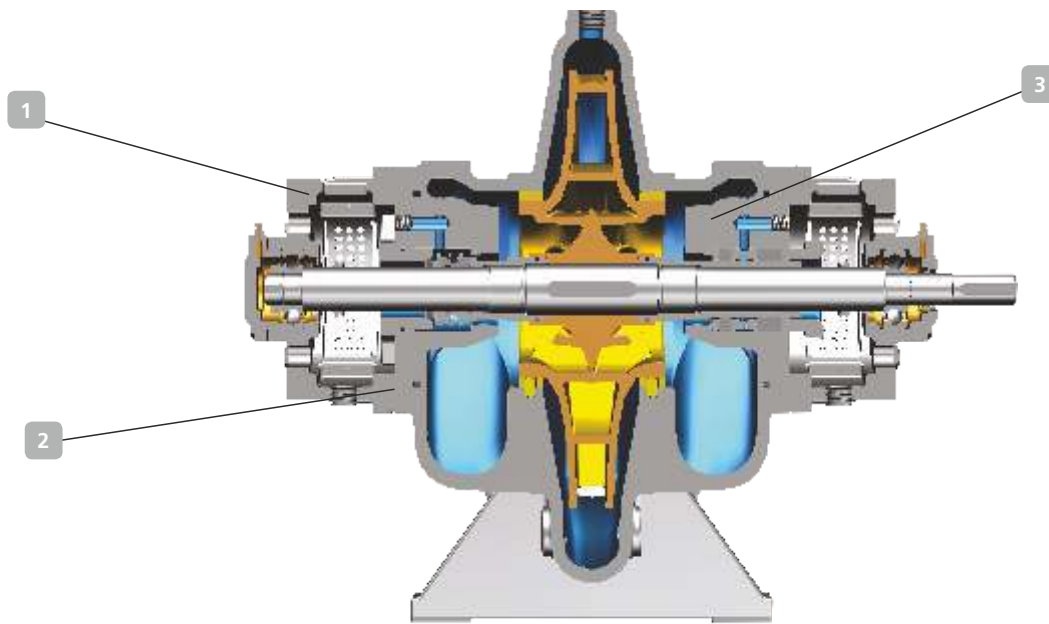
For handling pure and raw water in

- Water works
- Irrigation
- Pumping stations
- Industrial water supply
- Application in general industry
- HVAC

Trust of German Technology



# Gamma - Axially split Volute Casing Pump



## 1 High operating reliability

Thanks to the double-entry impeller (compensating the axial forces) the load on the generously dimensioned, pre-loaded, maintenance-free bearings is minimal.

## 2 Low maintenance costs

- The combination of solid bearing brackets, a short and rigid shaft, and pre-loaded bearings guarantees low vibrations and long operating lives of bearings, seals and coupling.
- Corrosion and abrasion resistant materials ensure top service lives for shaft protecting sleeves, casing wear rings, and impeller.

## 3 Service-friendly design

- The self-centring upper part of the casing and the preloaded rotor enable cover and rotor assembly without any adjustments.
- For maintenance, the casing split flange can be easily and thoroughly cleaned, and the inside of the pump is freely accessible.

## Reliable sealing

The solid casing split flange at the upper and lower casing part ensures reliable and trouble-free sealing with Liquid Gasket between the upper and lower casing halves.

### Materials\*

Volute casing	Grey cast iron
Impeller	Grey cast iron / Bronze / Stainless steel
Shaft	Carbon Steel / Cr steel
Shaft protecting sleeves	Cr steel
Casing wear rings	Bronze
*) other materials on request	

### Technical data

Pump sizes	DN 80 - 350	3 to 14 in
Capacity	Up to 3200 m <sup>3</sup> /h	Up to 14089 gpm
Discharge head	Up to 87 m	Up to 286 ft
Operating pressure	Up to 10 bar	Up to 145 psi
Temperature	Up to 80°C	Up to 176°F
Max Operating Speed	1450 rpm	



**KSB Limited**  
 Mumbai-Pune Road, Pimpri, Pune - 411 018. India.  
 Tel.: +91 20 2710 1000 Fax : +91 20 2742 6000 www.ksbindia.co.in

**Our toll free no : 1800 233 1299**  
 (Mon-Sat. 8am-10pm)