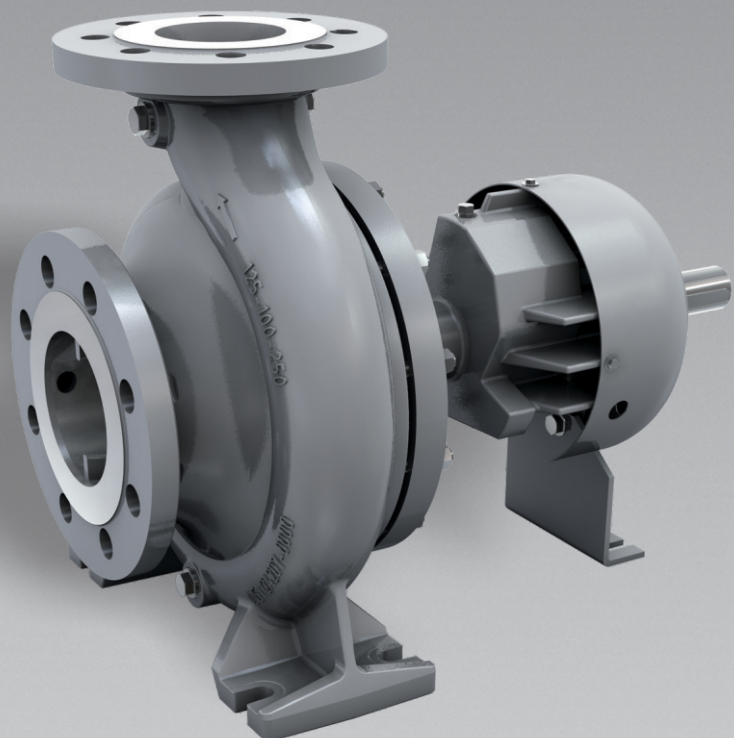


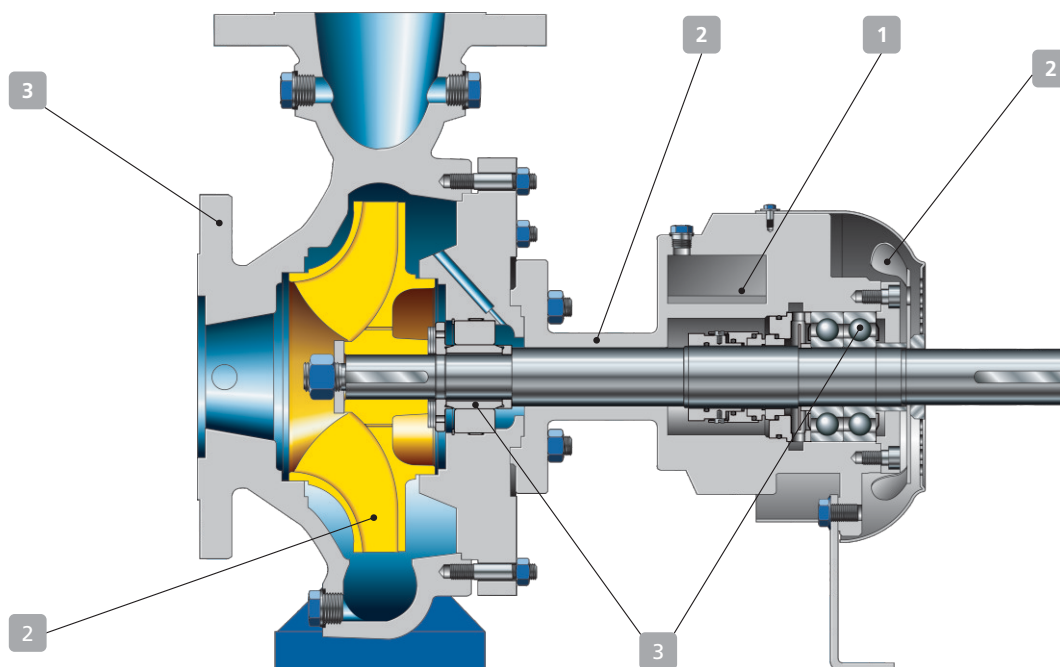
HPK-L – Heat Transfer Fluid/Hot Water Pump in Back Pull-out Design

Applications :

- General industry
- Process engineering
- Heat transfer fluids and hot water systems
- Energy and heat supply



HPK-L – Heat Transfer Fluid/Hot Water Pump in Back Pull-out Design



1 Reliable

Thanks to the patented VenJet® venting chamber. VenJet ensures that gas is kept away from rotating parts during operation, and thus protects the mechanical seal against dry running.

2 Energy-efficient

- Improved flow passage in the hydraulic section to provide for high efficiencies.
- As standard, the pump characteristic is adjusted to the required duty point.
- Additional sizes within the ISO selection chart allow for selection close to the best efficiency point.
- Air-cooled bearing bracket with heat barrier and fan impeller; no external cooling required.

3 Safe

- Two grease-lubricated angular contact ball bearings in back-to-back arrangement (designed for at least 25000 h) and a product-lubricated SiC/SiC plain bearing make for a long operating life.
- Dimensions and ratings to ISO 2858 as well as fulfilling the technical requirements as per ISO 5199 ensure interchangeability and reliability.

Universal use

Selected depending on the requirements imposed by fluids and pressure, KSB offers material combinations for casings, impellers, casing wear rings and mechanical seals (single and double), which cover the full range of applications involving all types of organic and synthetic heat transfer fluids as well as hot water.

Technical data

Pump size	25 to 250 mm
Discharge up to*	1160/1400 m ³ /hr
Head up to*	162/233 m
Fluid temperature	-40 to +400 °C
Operating pressure	up to 25 bar [®]

* Values for 50 Hz/60 Hz

® Option of 40 bar available. Refer KSB for more details.

Material

	EG	EE	EC
Volute casing	A 216 Gr. WCB		
Casing cover	A 216 Gr. WCB		
Impeller	Cl Gr. A48CL35B	WCB	A 743 Gr. CF8M
Shaft	A 276 Gr. 410		
Bearing bracket	A 216 Gr. WCB		



KSB Pumps Limited

Mumbai-Pune Road, Pimpri, Pune - 411 018. India.

Tel.: +91 20 2710 1000 Fax : +91 20 2742 6000 www.ksbindia.co.in

Subject to technical modification without prior notice.

1136.021